







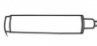














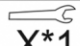

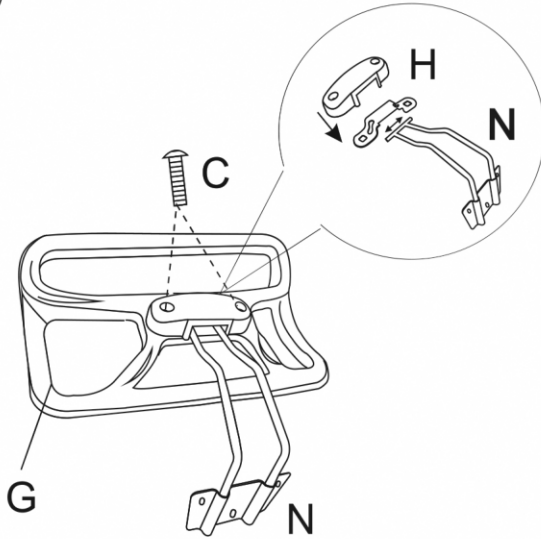


# ASSEMBLY INSTRUCTIONS

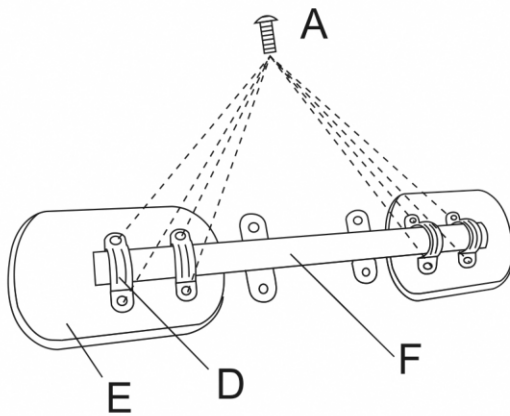
Instrukcja montażu – klękosiad O' Kneel Pro  
 Assembly instructions – kneeling chair O' Kneel Pro  
 Montageanleitung – Kniestuhl O' Kneel Pro  
 Instruction de montage – Siège assis-genoux O' Kneel Pro

|  |  |   |   |   |   |   |   |   |   |   |  |
|--|--|---|---|---|---|---|---|---|---|---|--|
| 6*16mm<br><br><b>A*16</b> | 6*20mm<br><br><b>B*15</b> | 6*25mm<br><br><b>C*2</b> | <br><b>D*8</b> | <br><b>E*2</b> | <br><b>F*1</b> | <br><b>G*1</b> | <br><b>H*1</b> | <br><b>Q*1</b> | <br><b>R*1</b> | <br><b>S*1</b> | <br><b>T*1</b>  |
| <br><b>I*2</b>             | <br><b>J*1</b>            | <br><b>K*2</b>           | <br><b>L*1</b> | <br><b>M*1</b> | <br><b>N*1</b> | <br><b>O*2</b> | <br><b>P*2</b> | <br><b>U*2</b> | <br><b>V*1</b> | <br><b>W*2</b> | <br><b>X*1</b><br><br><b>Y*2</b> |

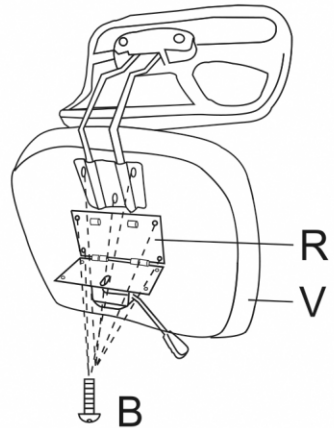
**1**



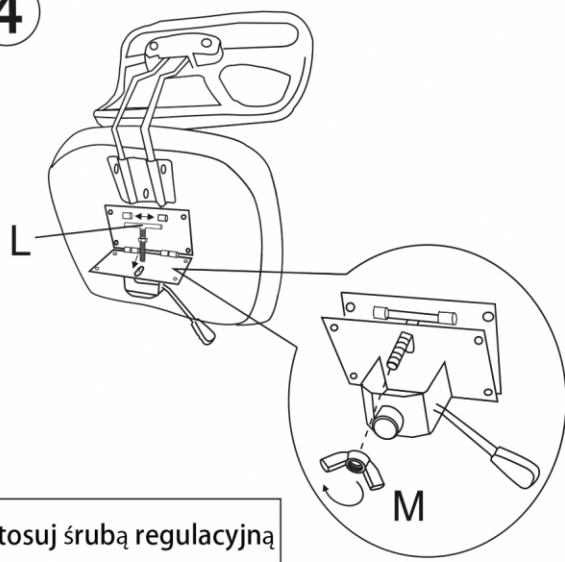
**2**



**3**

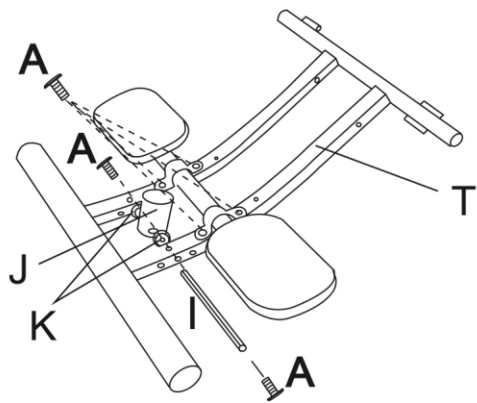


**4**

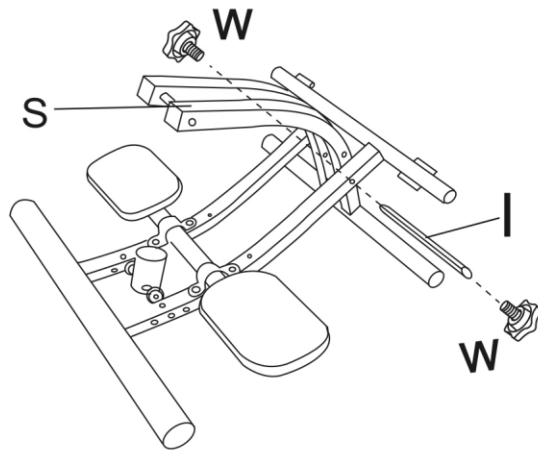


dostosuj śrubą regulacyjną  
M kąt nachylenia siedziska

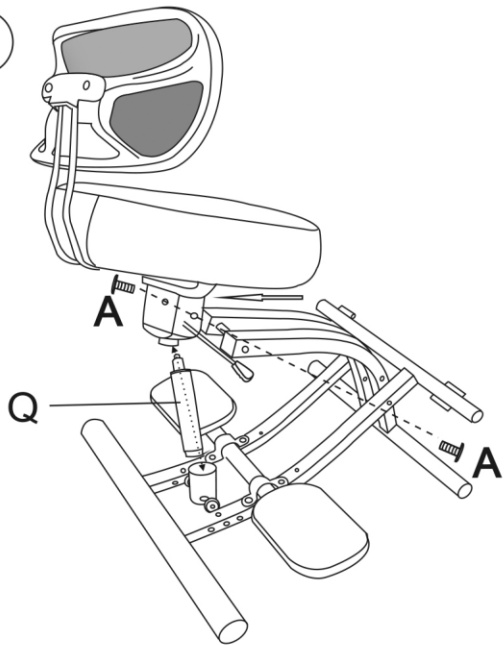
5



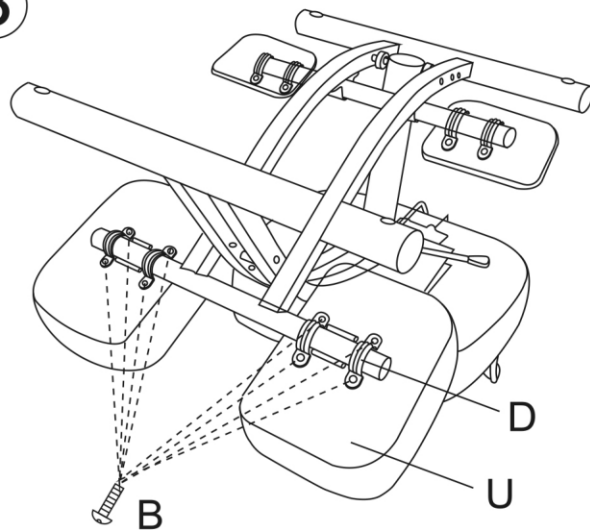
6



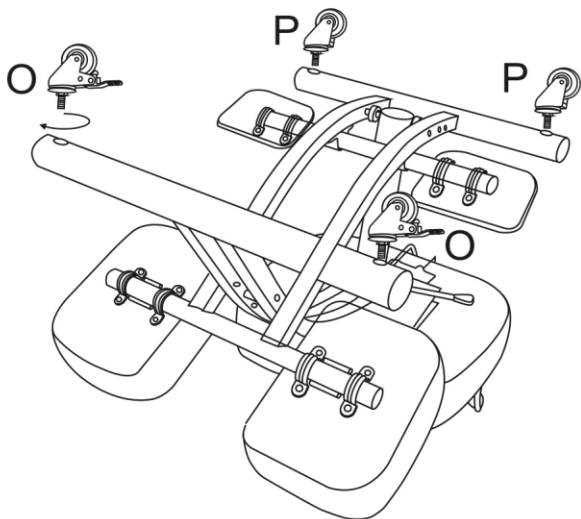
7



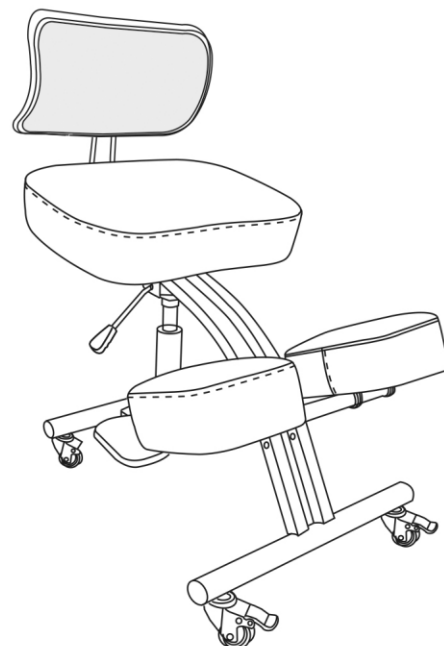
8



9



10



Uwaga! Proszę dokładnie dokręcić kółka! / Attention! Please tighten the wheels!